

2712

STANDARD REFERENCE FORCE TRANSDUCER TENSION / COMPRESSION

- Standard reference force transducer specially designed according to the norm ISO 376⁽¹⁾ (Class "1", "05" and "00")
- Broad range of capacities
- Tension and compression
- Compact design
- Complete range of load accessories
- Protection: IP65 (2712-200N: IP54)
- Material : Aluminium
- Also available with RS-232C or RS-485 output (option)



Model 2712 –5kN

AVAILABLE CAPACITIES :

200 N – 500 N – 1 kN – 2 kN – 5 kN and 10 kN

	Class	1	05	00
Hysteresis		$\leq \pm 0.30$	$\leq \pm 0.15$	$\leq \pm 0.07$
Repeatability with rotation (reproducibility)		$\leq \pm 0.20$	$\leq \pm 0.10$	$\leq \pm 0.05$
Repeatability without rotation (repeatability)	% RO ⁽²⁾	$\leq \pm 0.10$	$\leq \pm 0.05$	$\leq \pm 0.025$
Creep (over 30 minutes)		$\leq \pm 0.10$	$\leq \pm 0.05$	$\leq \pm 0.025$
Return to zero		$\leq \pm 0.05$	$\leq \pm 0.025$	$\leq \pm 0.012$
Reference temperature		+20		
Compensated temperature range	°C	-10 .. +45		
Service temperature range		-30 .. +70		
Storage temperature range		-50 .. +85		
Temperature coefficient on sensitivity	% RO / °C	$\leq \pm 0.035$	$\leq \pm 0.035$	$\leq \pm 0.015$
Temperature coefficient on zero	% FS ⁽³⁾ / °C	$\leq \pm 0.03$	$\leq \pm 0.03$	$\leq \pm 0.023$
Sensitivity	mV/V	2		
Time of stabilization after power excitation supply	s	200...600		
Input resistance	Ω	350 \pm 3		
Output resistance	Ω	350 \pm 2		
Insulation resistance	M Ω	> 5000		
Nominal excitation voltage	V	10		
Maximum excitation voltage	V	15		
Service load		100		
Limit load	% FS	110		
Breaking load		> 300		

⁽¹⁾ The class G0,5 of the norm DIN 51301 (D), the class 0 of the norm NFA 03-510 (F), the class 0 of the norm NBN X07-001 (B) and the class 0,5 of the norm EN 10002-3 are equivalent with the class 05 of the norm ISO376.

⁽²⁾ RO is the rated output (i.e.: measured value). The mentioned values are only valid if RO \geq 20% of full scale).

⁽³⁾ FS is the full scale of the force transducer.

LOAD CELL

model 2712

aluminium



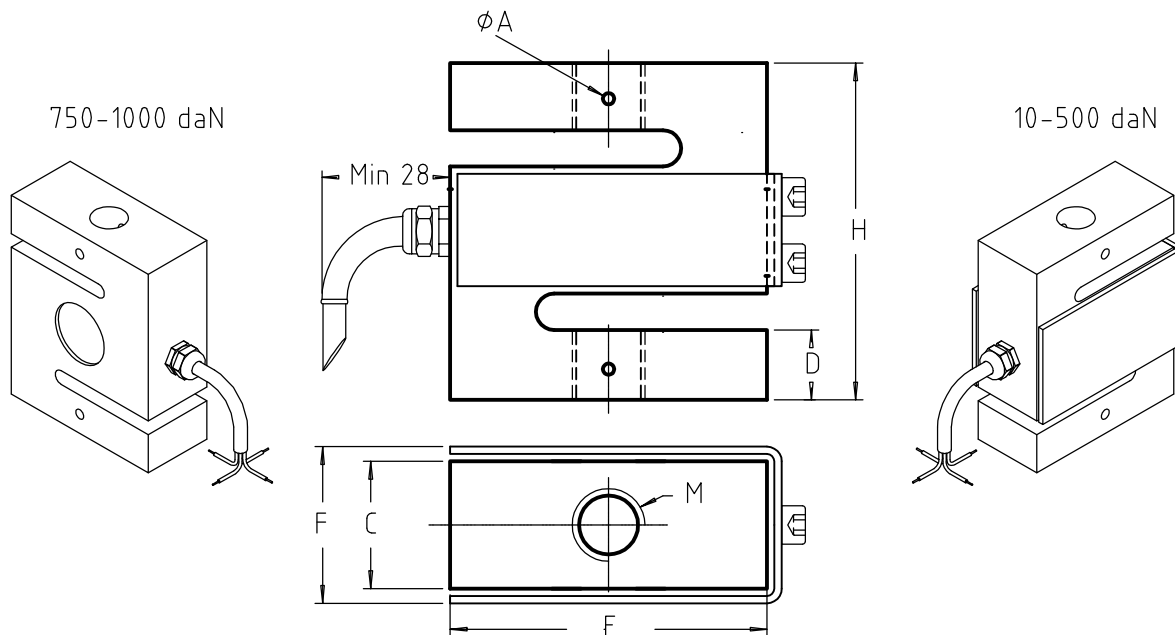
TENSION-COMPRESSION

Range (10-1000 daN)
(10-1000 kg) Protection see table (IP)

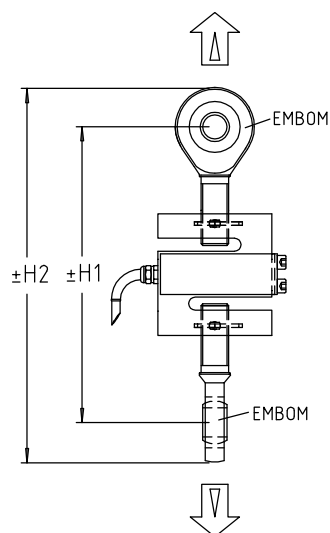
Cable length : 3 m



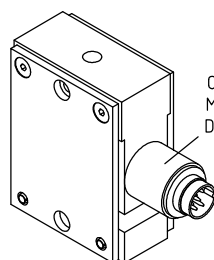
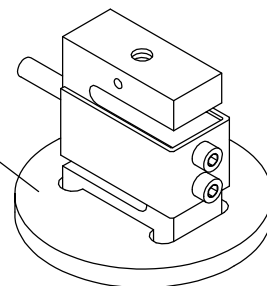
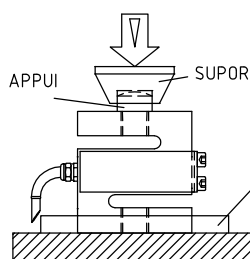
EN 10002



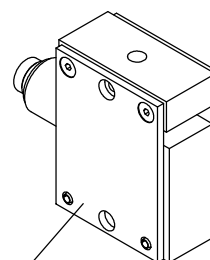
MODEL	CAPACITIES	φA	H	C	D	E	F	M	H1	H2	Weight	Max.deflexion	IP
2712	10 - 100 daN	4	72	25	±13.5	55	±32	M8	132	167	0.42 kg	0.40 mm	IP 54
	M12							0.35 mm				IP 65	
	M16							0.30 mm				IP 65	
	750 -1000 daN		88	30	±18	70	/		188	233	0.6 kg	0.30 mm	IP 65



Note: Standard wiring for compression



OPTION B :
Male connector
DIN 45322



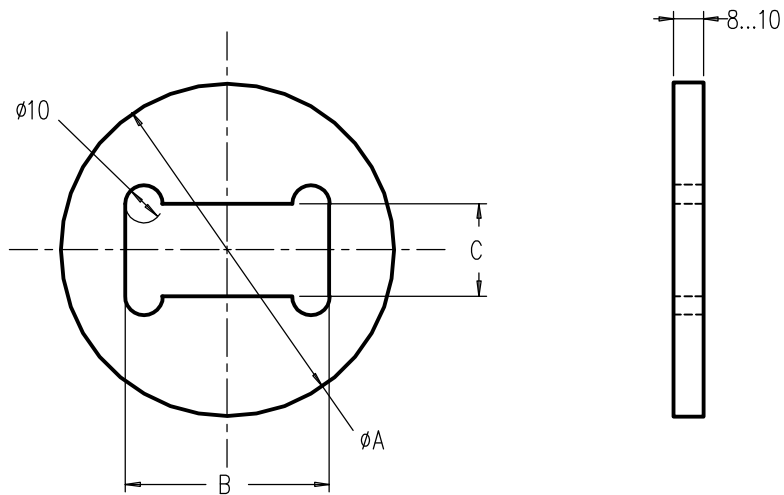
OPTION a :
Overload protection 10-100 daN ONLY

Rev.15/3/2005

ACCESSORIES

model C2712 aluminium

CENTERING PIECE FOR LOAD CELLS 2712 and 2715



CAPACITIES	ϕA	B	C	For load cell
10	89	55	25	2712 10 - 500 daN
750	109	70	30	2712 750 - 1000 daN
20 kN	139	98	38	2715 20 - 50 kN
75 kN	179	118	56	2715 75 - 100 kN
150 kN	199	146	67	2715 150 - 200 kN

