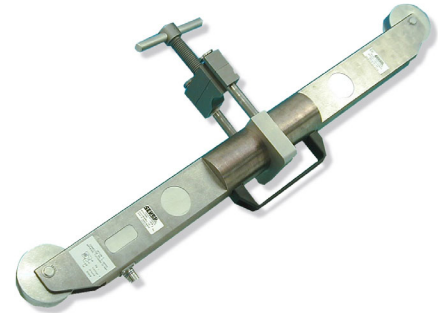


## 5560-5562-5565

## TENSIOMETER

- Easy mounting on the cable on which tension force needs to be determined
- Can be placed on fixed up cable
- Protection IP 65 (IP 67 optionnal)
- Available with integrated amplification 4-20mA, 1- 5 V or 0,1 - 10 V
- Complete range of electronics, load limitation devices and displays "CE" certified
- EEx ia IIC T4 / T6 Version for use in hazardous area
- Usable on a broad range of cables (from 6 to 55 mm diameter)
- Easy and fast to install
- Material :
  - Stainless steel (5560)
  - Aluminium (5562)
  - Alloy steel (5565)



Model 5560 - 40 t

The SENSY's load cells 5560-5562-5565 are perfectly designed for the following applications:

- Tension measurement of cable and electrical pylon stays, transmission antenna's, cables in use in oil extraction, ...
- Tension measurement for suspended bridges and foot-bridges, big tops...
- Security of hoisting devices and cranes in combination with load limitation devices (CRANEBOY, BRIDGEBOY, ...)

### AVAILABLE CAPACITIES :

**5562: 0,2 to 6,2 tons on cable.**

**5560 – 5565: 0,2 to 45 tons on cable.**

- Available with portable displays (batteries also possible)



Indi PSD

## LOAD CELLS



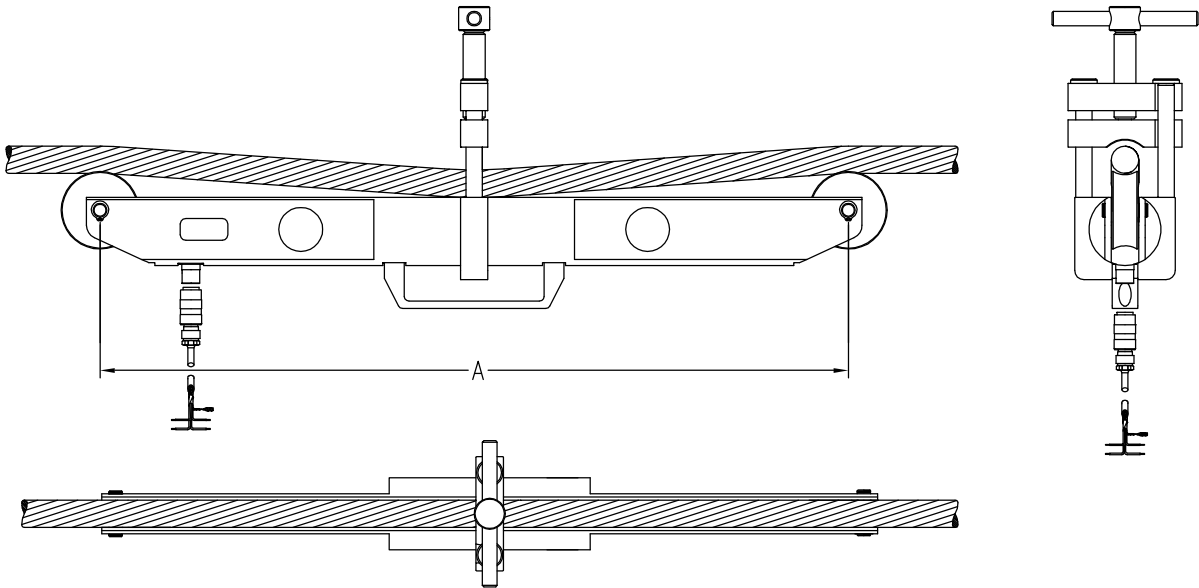
model 5560      stainless steel  
 model 5562      aluminium  
 model 5565      alloy steel



### TENSIOMETER FOR CABLES

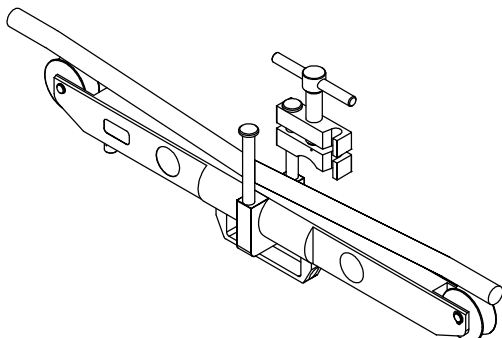
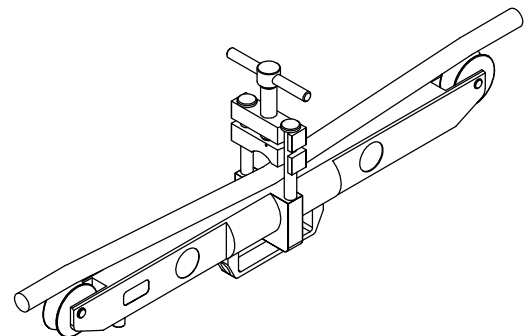
Range cable  $\varnothing$  6–55 mm IP65

Cable length : See table (CL)

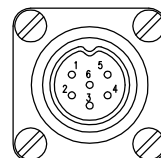


MODEL	CABLE $\varnothing$		* LOAD ( kN )		$\pm A$	CL(m)
	(mm)	min - max				
5560 - 5562 - 5565	6-12	6	2 - 5.5	300	3	
		12	2 - 22			
5560 - 5562 - 5565	12-20	12	4 - 22	450	6	
		20	5 - 62			
5560 - 5565	20-40	20	10 - 62	620	12	
		40	20 - 250			
5560 - 5565	35-55	35	20 - 190	820	12	
		55	40 - 450			

\*-Range measurement with precision better than 3 % ( FS )  
 -Specific calibration and load are possible , consult us for more details



#### FEMALE-MALE CONNECTOR DIN 45322



CONTACT N°  
 1 Excitation - Yellow  
 2 Signal + Green  
 3 Signal - White  
 4 Excitation + Brown  
 5 Sense - Grey  
 6 Sense + Pink

Cable screen not connected to transducer  
 Option f : Cable screen connected to transducer  
 (6 wires cable in option)  
 Cable screen connected to transducer for option t,C,J

Rev.18/12/2002 A