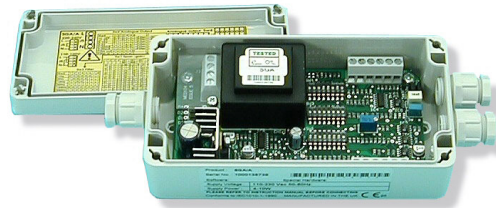


COND SGA-A/SGA-D

STRAIN GAUGE AMPLIFIER

- Connect up to 4 transducers (max. 350 Ω) each
- Adjustable transducer sensitivity 0.1 to 30 mV/V
- Simultaneous voltage and current output
- 230/110VAC or 18-24Vdc power supply
- An LVDT version of this unit is also available
- Sensor Excitation
- High Frequency Filtering
- Outputs IP65 ABS field case with cable glands
- Switch selectable offset $\pm 70\%$ FS
- Excitation: regulated 10V@110mA
- 3 year manufacturer's warranty
- User-selectable analogue output $\pm 10V$, $\pm 5V$, 0-10V, 0-5V, 0-20mA, 4-20mA
- Direct connection to a PLC, a display unit, industrial instrumentation, chart recorder, or a P (with A/D card)



- Selectable Sensitivity
- All parameters configurable by DIL switch
- User Selectable Analogue
- Surface mount PCB
- Full CE approval
- Wide range filtering 1Hz to 5kHz

Parameter	Minimum	Typical	Maximum	Units
Power supply (SGA/A):- (110/230Vac) 50 - 60Hz	-	110/230	-	V AC
Power supply DC :-	18	-	24*	V DC
Power supply current DC :- (depends on loading)	50	90	200	mA
Bridge excitation 350R Strain Gauge	9.5	10	10.5	V
Bridge resistance	85	-	-	Ohms
Bridge sensitivity (Switchable)	0.06	-	29	mV/V
Gain adjustment (Pot - fine adj.)	0.06	-	1.0	mV/V
Offset adjustment (Pot - fine adj.)	0	-	± 1.25	%FS
Offset adjustment (Switchable - coarse adj)	± 1.25	-	± 79	%FS
Output load (Voltage output)	-	-	2	mA
Output load (Current output)	0	-	500	Ohms
Bandwidth (No filter and $> 2mV/V$)	DC	-	6	kHz
Filter cut-off (Switchable ranges)	1	-	5000	Hz
Zero temperature coefficient (@2.5mV/V)	-	0.5	-	$\mu V/^\circ C$
Span temperature coefficient	-	0.007	0.01	%/ $^\circ C$
Linearity	-	0.03	-	%FS
Gain stability -1st 1000 Hours	-	0.2	-	%FS
Gain stability - 2nd 1000 Hours	-	0.1	-	%FS
90 day Offset stability	-	3.3	-	μV
Output load stability gain (0 - 100%)	-	-	0.01	%FS
Output load stability offset (0 - 100%)	-	-	0.01	%FS
Power supply rejection gain (0 - 100%)	-	-	0.01	%FS
Power supply rejection offset (0 - 100%)	-	-	0.01	%FS
Operating temperature range	-10	-	50	$^\circ C$
Storage temperature range	-20	-	70	$^\circ C$
Humidity	-	-	95	%

*N.B. 18V max at full load FS= Full Scale

Output options

$\pm 10V$, $\pm 5V$, 0-10V, 0-5V, 0-20mA, 4-20mA

Connections

Field screw terminals - 2.5mm² rising clamp

Enclosure

ABS case 160 x 80 x 55 sealed to IP65 fitted with 3 off cable glands

Controls

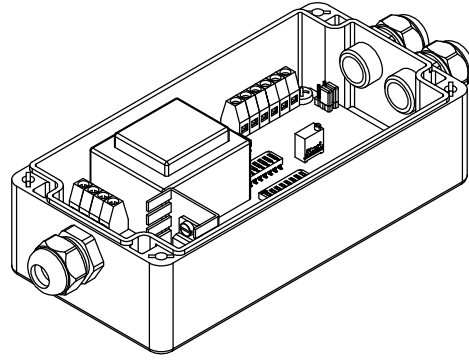
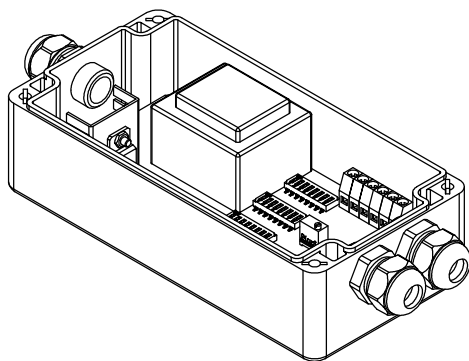
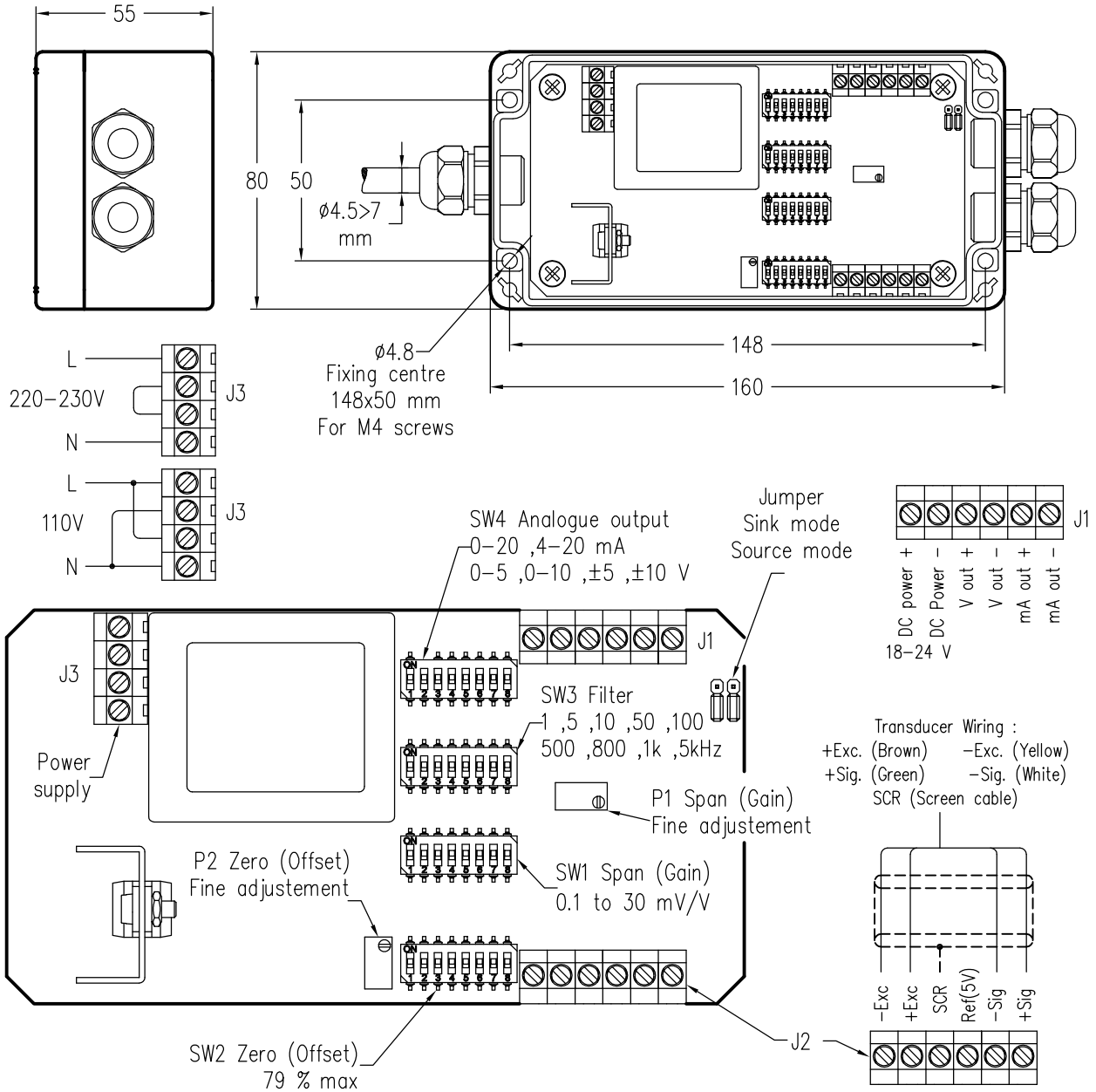
- Gain pot
- Offset pot
- Coarse gain switches
- Coarse offset switches
- Filter cut-off switches
- Output mode switch

AMPLIFIER – CONDITIONER

model COND SGA-A



The COND SGA-A (amplifier and transmitter) provides a normalized signal (0-5, 0-10, ±5, ±10V / 0-20, 4-20 mA) from one to four transducers
 Power supply 110-230 VAC or 18-24 VDC – IP 65 enclosure ABS



AMPLIFIER – CONDITIONER

model COND SGA-D

The COND SGA-D (amplifier and transmitter) provides a normalized signal
 (0–5, 0–10, ±5, ±10V / 0–20, 4–20 mA)
 Power supply 18–24 VDC – IP 65 enclosure ABS

