

## INDI-PAXS

## MODULAR DISPLAY FOR LOAD CELLS

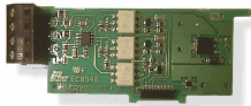
The INDI-PAXS is a display that is perfectly dedicated for the measurement applications with load cells.

More than just a display, the INDI-PAXS is programmable and has different functions as the tare, detection of min and max values...



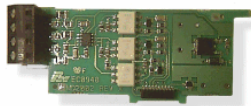
INDI- PAXS

<b>Input signals</b>	$\pm 24 \text{ mV}$ and $\pm 240 \text{ mV}$
<b>Number of digits</b>	5 digits of 14 mm height
<b>Power supply</b>	from 85 to 250 VAC (50 Hz, 15 VA) ; 24 VAC ; 48 VAC ; 10 to 30 VDC
<b>Possible output</b>	0..10 VDC, 4..20mA, RS232, RS485 in option
<b>Set points</b>	4 Programmable set points available in option
<b>Keyboard</b>	5 programming keys
<b>Tare</b>	Function tare standard
<b>Protection</b>	Front panel of 49 x 96 mm - IP 65 protected (optional)
<b>Code</b>	Security code to lock the programming



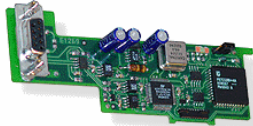
**CARD CDC10 (RS485) : Serial Communication Plug-in Cards**

- RS485 Versions
- RS485 Multi-Point Balanced Interface
- Terminal Block or Quick Disconnect Connector



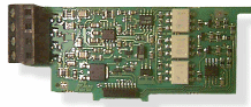
**CARD CDC20 (RS232) : Serial Communication Plug-in Cards**

- RS232 Versions
- RS232 Half Duplex Balanced Interface
- Terminal Block or Quick Disconnect Connector



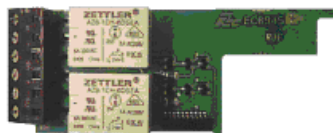
**CARD CDC50 (Profibus) : Profibus Communication Plug-in Card**

- Cyclic I/O Data Transmission, up to 84 bytes in/out
- Baud Rates of 9.6K to 12MB with Auto Baud Rate Detection



**CARD CDL (Analog) : Analog Output Plug-in Card**

- 0-20 mA, 4-20 mA, or 0-10 VDC
- Resolution 1/3500



**CARD CDS (Setpoint) : PAX Setpoint Plug-in Cards**

- Dual or Quad Relay Versions
- Sinking or Sourcing Open Collector Versions

**PAX**



More information on these cards on simple request

# INDICATOR

## model INDI PAXS



Power supply : 85 to 250 VAC / 24 VAC / 10-30 VDC IP54

INDI PAXS : 85 to 250 VAC- Strain gages input

" " PAXS-24: 24 VAC - "

" " PAXS-DC: 10-30 VDC - "

### Options :

CARD CDL10 = 4-20 mA / 0-10 V output

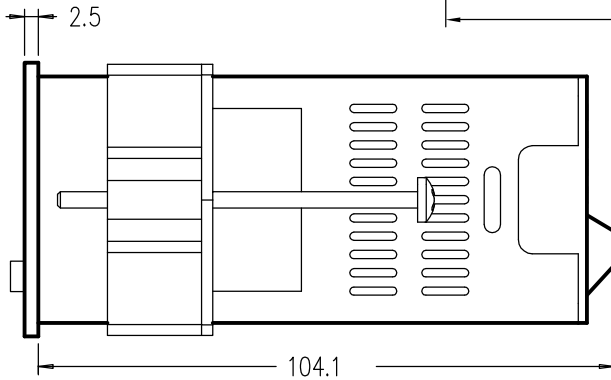
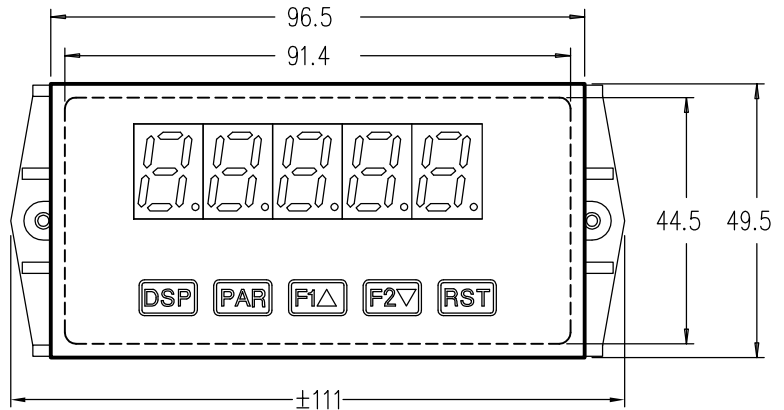
CARD CDC20 = RS232 output

CARD CDC10 = RS485 output

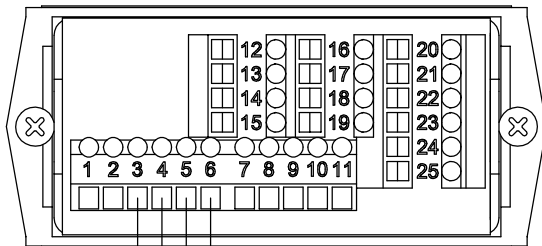
CARD CDS20 = 4 Relays output

CARD CDS10 = 2 Relays output

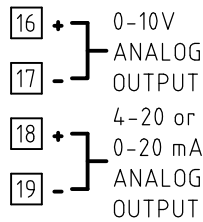
F= Splashproof Cover IP 65



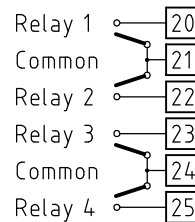
Note:  
recommended min.  
clearance (behind  
the panel) for  
mounting is  
depth 140 mm and  
height 53.4mm.  
Panel cut-out  
92mm (-0+0.8)  
45mm (-0+0.5)



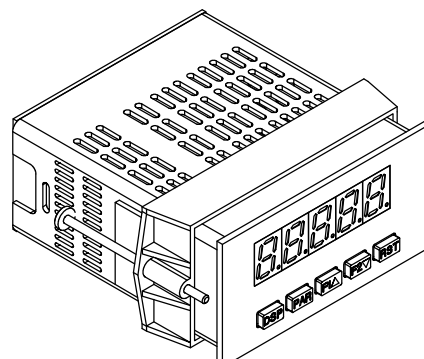
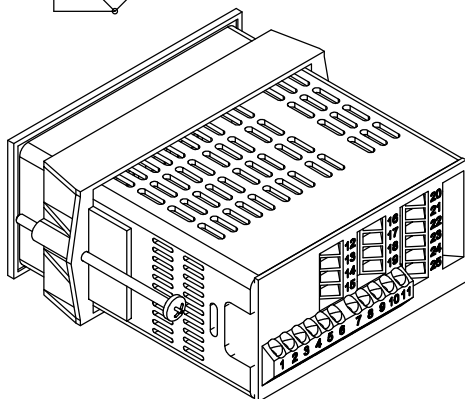
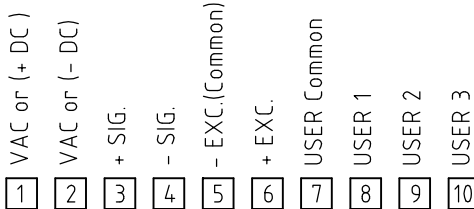
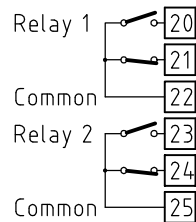
### CARD CDL10



### CARD CDS20



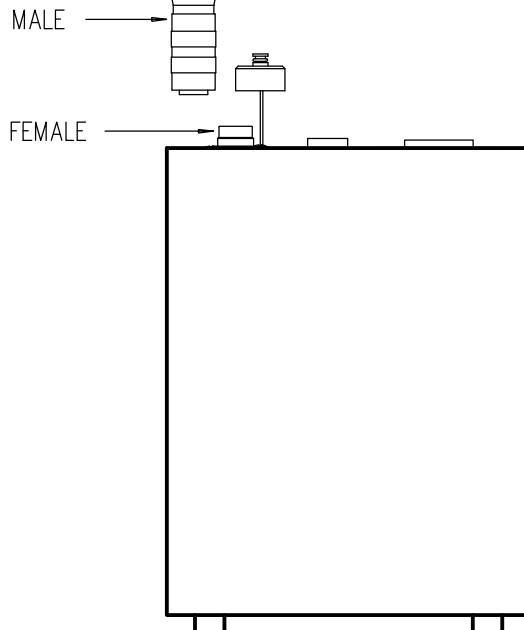
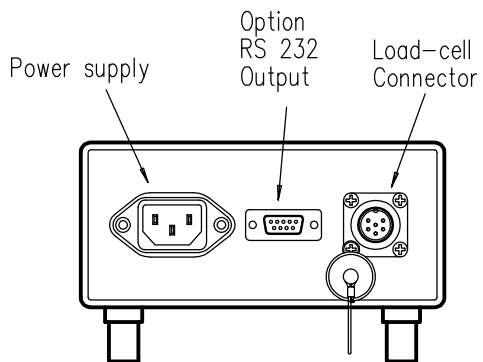
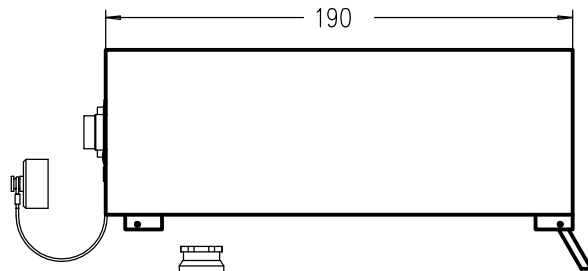
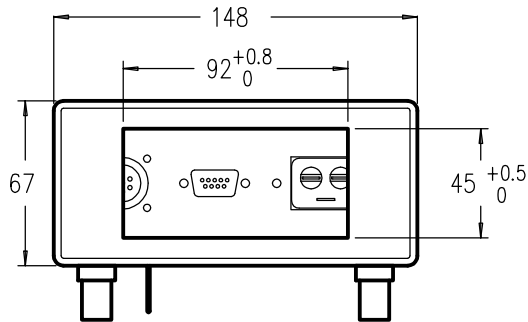
### CARD CDS10



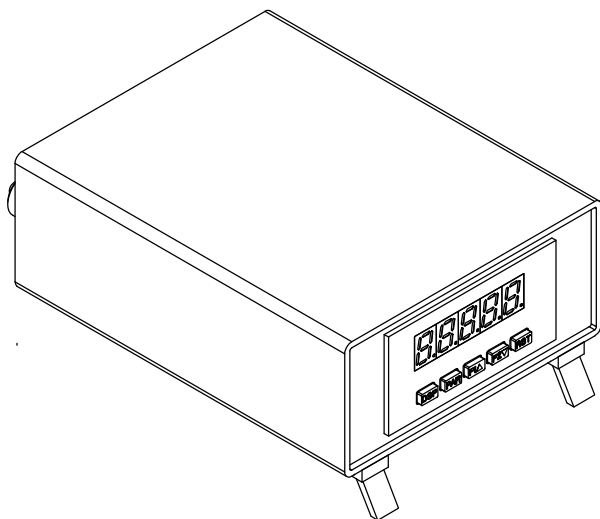
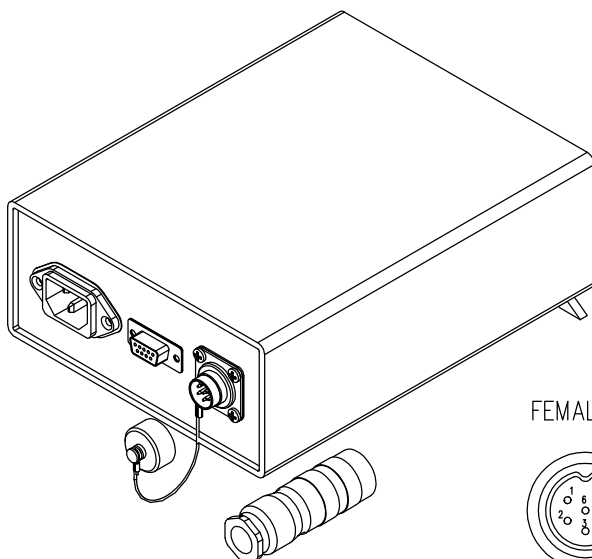
## HOUSING

### model HOUSE 1/8 DIN

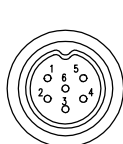
ENCLOSURE FOR PANEL-METERS DIN (92x45 mm)



Options  
 Calibration with push button  
 (on front panel)  
 Analog output 0-10V 4-20 mA  
 (With terminal on back panel)  
 Relays outputs



#### FEMALE-MALE CONNECTOR DIN 45322



CONTACT N°			
1	Excitation	-	Yellow
2	Signal	+	Green
3	Signal	-	White
4	Excitation	+	Brown
5	Sense	-	Grey
6	Sense	+	Pink

OR

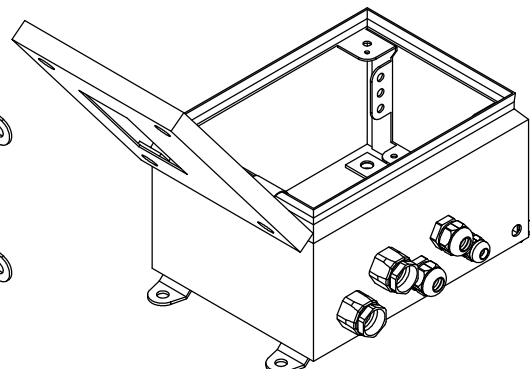
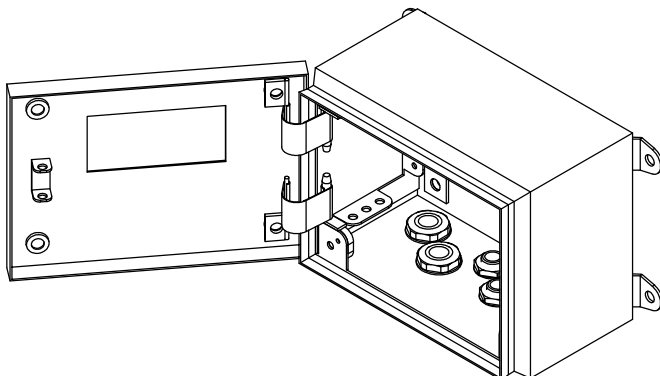
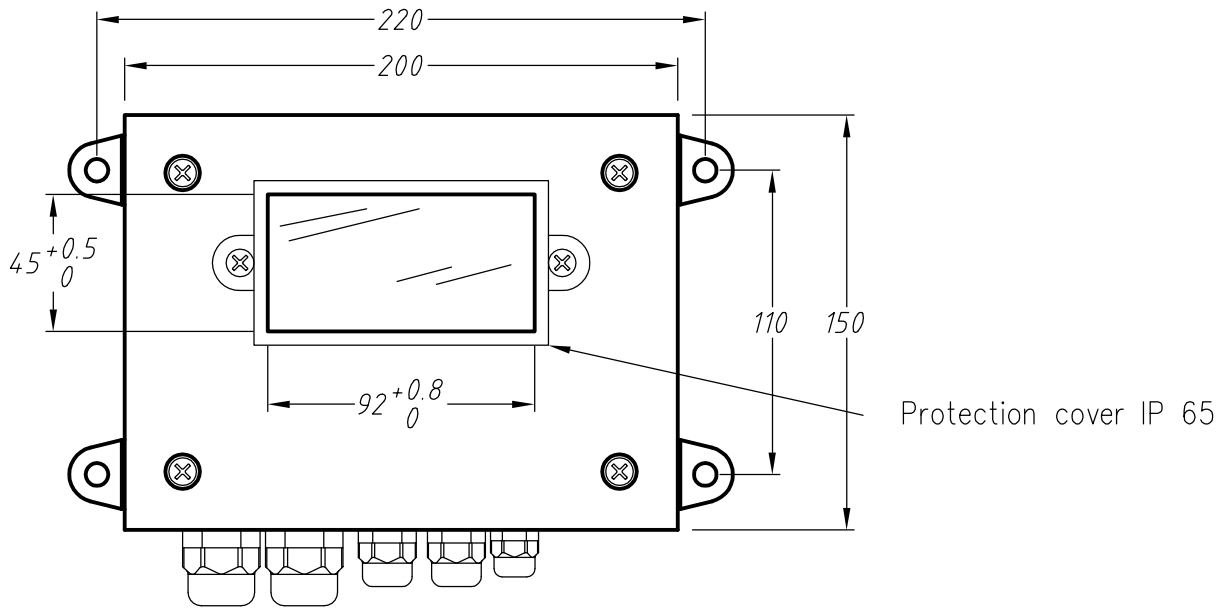
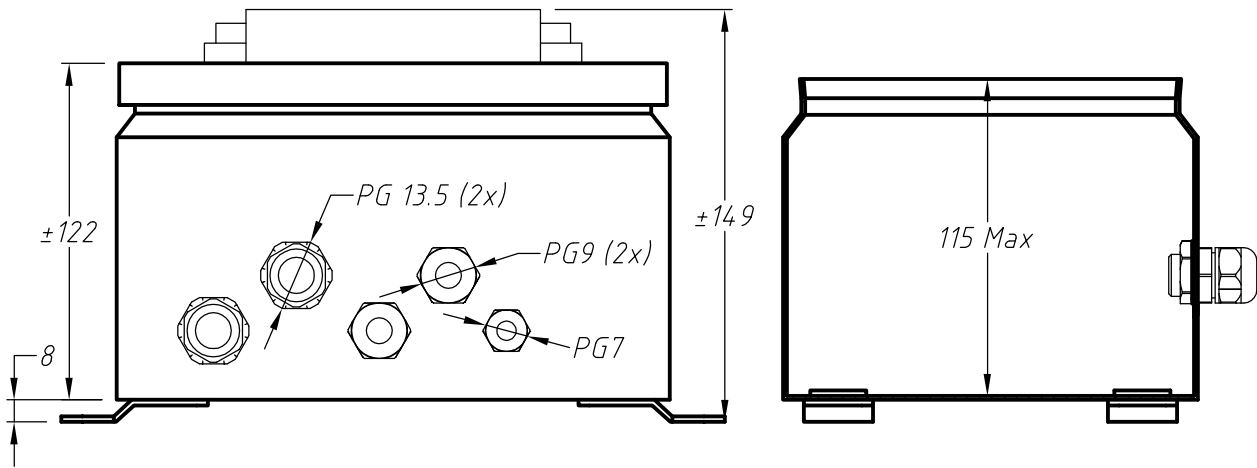
5	R.Calibration
6	R.calibration

Rev.22/03/00

# HOUSING

## model HOUSE 1/8 IP

Housing IP 64 for indicator or display 1/8" DIN



Rev. 9/1/2002A