

## 6100-6105

## REACTION TORQUE METER

- Universal non - rotating torque meter
- Broad range of capacities : from 300 to 5000 Nm
- Easy to install
- Compact design
- Protection IP 65
- EEx ia IIC T4 / T6 version certified for use in explosive areas
- Available in version High temperature
- Available in high output signal
- Available with double Wheatstone bridge
- Material : Stainless (6100) or nickel plated steel (6105)



Model 6100 – 500 Nm

Model 6100 and 6105 from SENSY are designed for following applications:

- Torque measurement on machines
- Servo control or torque limitation on industrial process
- Calibration of screw drivers
- Torque measurement in laboratories

### AVAILABLE CAPACITIES :

**6100 - 6105 : 300 - 500 - 1000 - 2000 - 5000 Nm**

Technical characteristics		
Accuracy class		0.25
Linearity error	% F.S.	< ± 0.25
Non-repeatability	% F.S.	< ± 0.1
Creep error over 30 min.	% F.S.	< ± 0.075
Return to Zero	% F.S.	< ± 0,025
Reference temperature	°C	23
Nominal temperature range	°C	- 10...+ 45
Service temperature range	°C	- 30...+ 70
Storage temperature range	°C	- 50...+ 85
Temperature coefficient of the sensitivity	% /10°C	< ± 0.05
Temperature coefficient of the Zero signal	% F.S./10°C	< ± 0.035
Nominal sensitivity	mV/V	1 - 1.5
Zero balance	mV/V	± 0.02
Sensitivity tolerance	%	< ± 0.2
Input/Output resistance	Ohm	350 ± 20
Insulation resistance	MOhm	> 5000
Nominal excitation voltage	V	5 to 10
Nominal range of excitation voltage	V	2...15
Safe load limit	% F.S.	150
Breaking load	% F.S.	300
Permissible dynamic loading	% F.S.	50

F.S.: full scale Specifications subject to change without notice

## STATIC TORQUEMETER

model 6100 stainless steel  
 model 6105 alloy steel

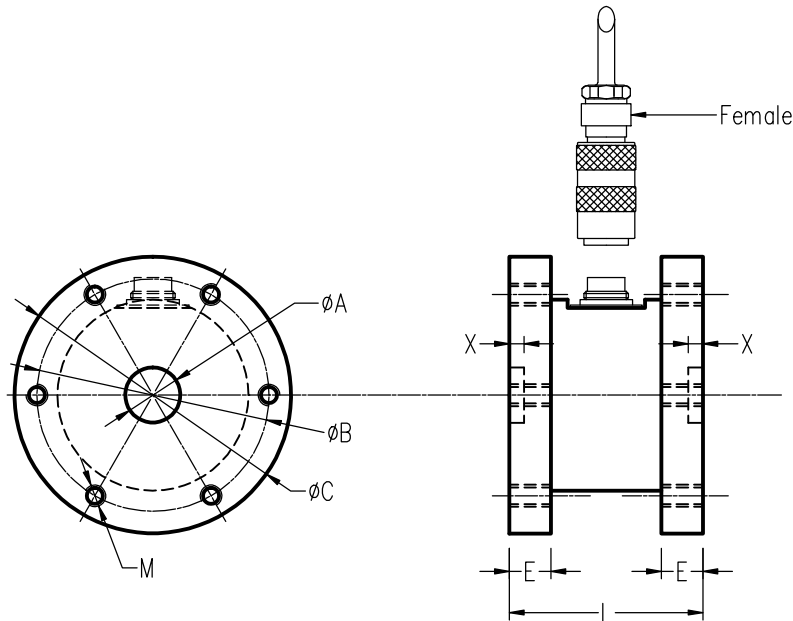
## REACTION TORQUE TRANSDUCER

Range : 300 – 5000 Nm 1mV/V IP 65  
 Cable length : 3 m

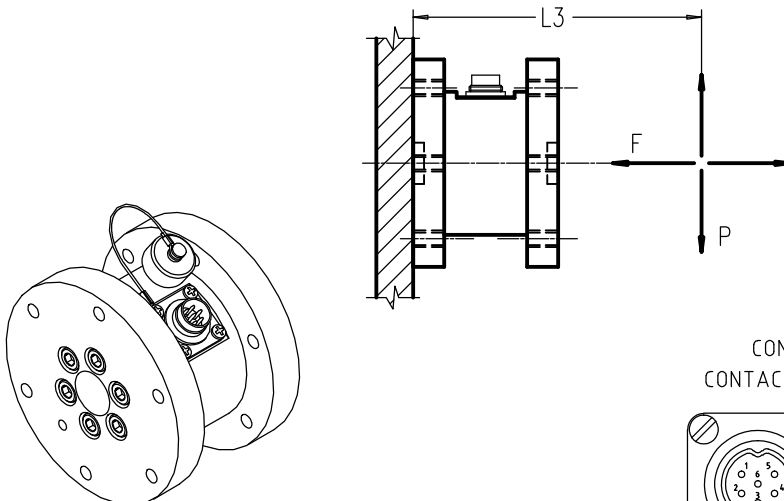
**TEDS sensors**  
**PLUG & PLAY**  
 IEEE 1451.4 compliant



ATEX CERTIFIED

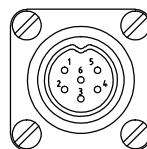


CAPACITIES	$\phi A$	$\phi B$	$\phi C$	E	L	M	X	F max (kN)	L3xP max (N/m)	Torsional stiffness kNm/rad	Weight (kg)
300 – 500 Nm	20 H7	84	99	15	70	M8 ( 6 x 60° )	10	7–12	80–170	170–215	2.2
1000 – 2000 – 5000 Nm	20 H7	127	149	18	100	M12 ( 8 x 45° )	15	18–35–55	330–700–1300	220–600–1300	7–7–7.5



CONNECTOR -CONNECTEUR DIN 45322

CONTACT N° 1 *Yellow Jaune* Excitation -  
 4 *Brown Brun* Excitation +



2 *Green Vert* :Signal+ :Signal -  
 3 *White Blanc* :Signal- :Signal +  
 5 *Grey Gris* Calibration  
 6 *Pink Rose* Calibration

Standard : Cable screen not connected to transducer  
 Option f : Cable screen connected to transducer

Rev. 9/10/2006