

## 6500-6505

## REACTION TORQUE METER

- Non-rotating torque meter with hexagonal head
- Broad range of capacities : from 2 to 1000 Nm
- Easy to install
- Compact design
- Protection IP 54
- EEx ia IIC T4 / T6 version certified for use in explosive areas
- Available in version High temperature
- Available in high output signal
- Available with double Wheatstone bridge
- Material : Stainless steel



Model 6500 – 500 Nm

Model 6500 from SENSY are designed for following applications:

- Servo control or torque limitation on industrial process
- Calibration of industrial screw drivers with torque control

### AVAILABLE CAPACITIES:

**6500: 2 - 5 - 10 - 20 - 30 - 50 - 100 - 200 - 300 - 500 - 750 - 1000 Nm**

Technical characteristics		
Accuracy class		0.25
Linearity error	% F.S.	< ± 0.25
Non-repeatability	% F.S.	< ± 0.1
Creep error over 30 min.	% F.S.	< ± 0.075
Return to Zero	% F.S.	< ± 0,025
Reference temperature	°C	23
Nominal temperature range	°C	- 10...+ 45
Service temperature range	°C	- 30...+ 70
Storage temperature range	°C	- 50...+ 85
Temperature coefficient of the sensitivity	% /10°C	< ± 0.05
Temperature coefficient of the Zero signal	% F.S./10°C	< ± 0.035
Nominal sensitivity	mV/V	1 - 1.5
Zero balance	mV/V	± 0.02
Sensitivity tolerance	%	< ± 0.2
Input/Output resistance	Ohm	350 ± 20
Insulation resistance	MOhm	> 5000
Nominal excitation voltage	V	5 to 10
Nominal range of excitation voltage	V	2...15
Safe load limit	% F.S.	150
Breaking load	% F.S.	300
Permissible dynamic loading	% F.S.	50

F.S.: full scale Specifications subject to change without notice

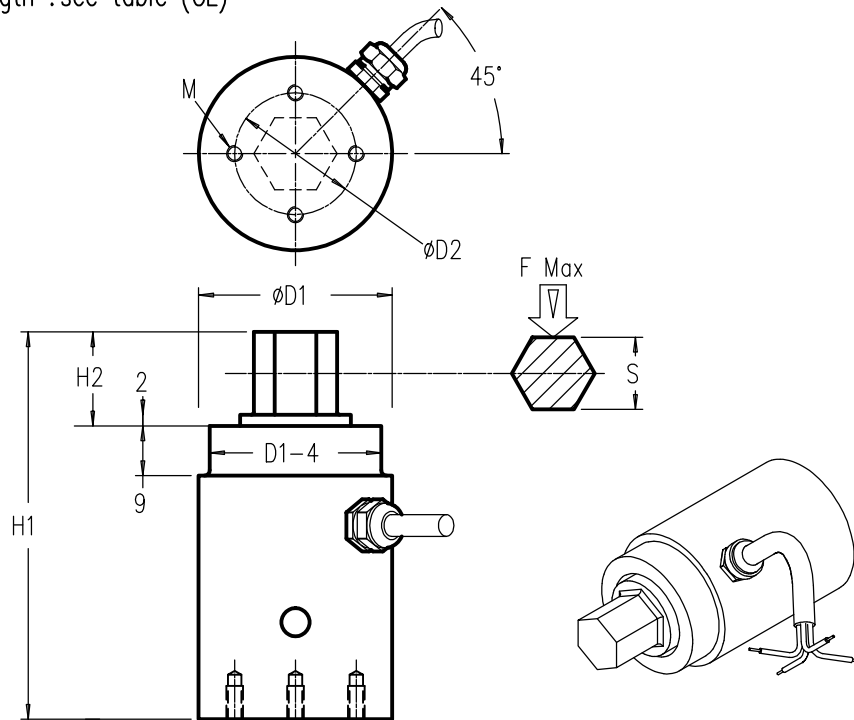
# STATIC TORQUEMETER

model 6500 stainless steel  
REACTION TORQUE TRANSDUCER

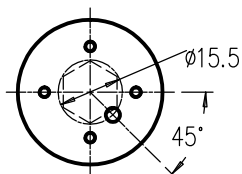


Range: 2 Nm–1000 Nm IP 54

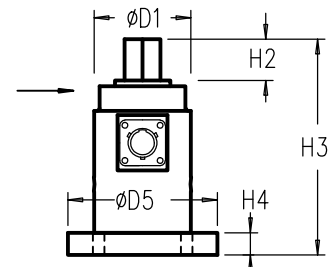
Cable length : see table (CL)



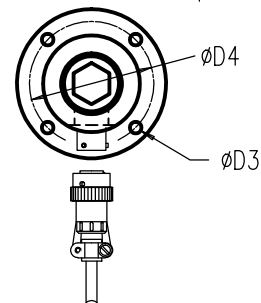
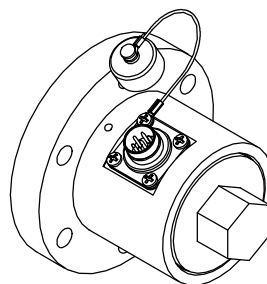
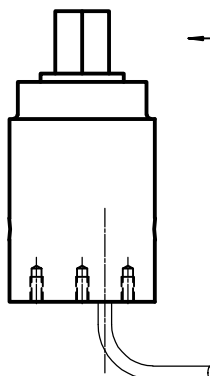
CAPACITIES	H1	H2	H3	H4	ØD1	M	ØD2	ØD3	ØD4	ØD5	S	F (N)	CL
2 - 5 Nm	70	15	78	8	35	4 x M3	22	4x4.2	45	54	13	40	0.5 m
10 - 20 Nm			81	11	54	4 x M6	38	4x6.5	68	79		200	1.5 m
50 Nm			81	11	54	4 x M6	38	4x6.5	68	79		400	1.5 m
100 Nm			81	11	54	4 x M6	38	4x6.5	68	79		900	1.5 m
200 Nm			81	11	54	4 x M6	38	4x6.5	68	79		1300	1.5 m
300 Nm	85	17	85	16	62	6xM8	48	6x8.5	80	98	38	1600	3 m
500 Nm												2200	3 m
750 Nm												3000	6 m
1000 Nm	/	20	90	18	/	/	/	/	/	/	/	3000	6 m



TYPE 6500-B  
(With connector)



TYPE 6500-A  
(axial cable output)



Rev.9/10/2006